



### DIMENSIONS

42" x 42" x 33" (1067 x 1067 x 838mm)  
Gallon to Overflow = 78 (Liters = 295)

### MATERIAL

Interior Acrylic  
Exterior Acrylic

### TUB FLOOR

Non-Textured

UNDERMOUNT: No

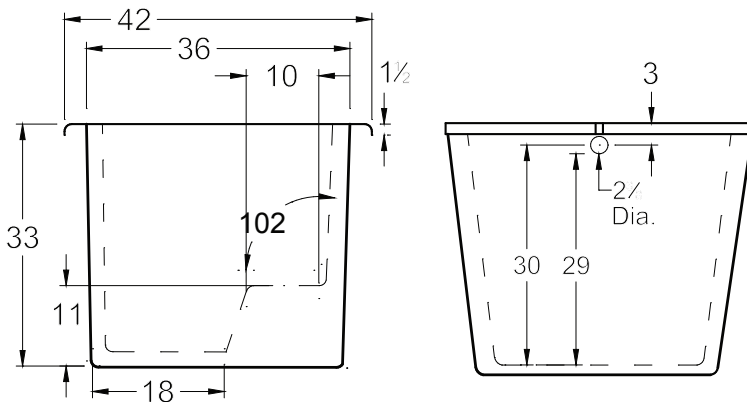
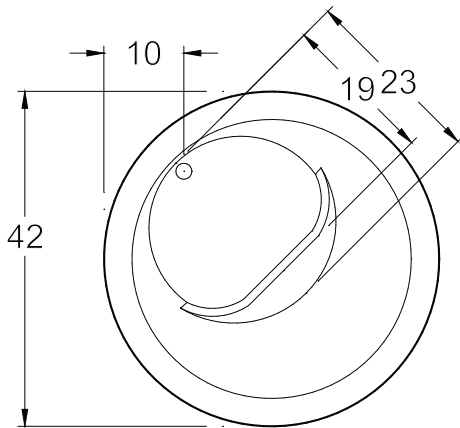
### APPROVALS & COMPLIANCE



Americh products meet or exceed the following standards:

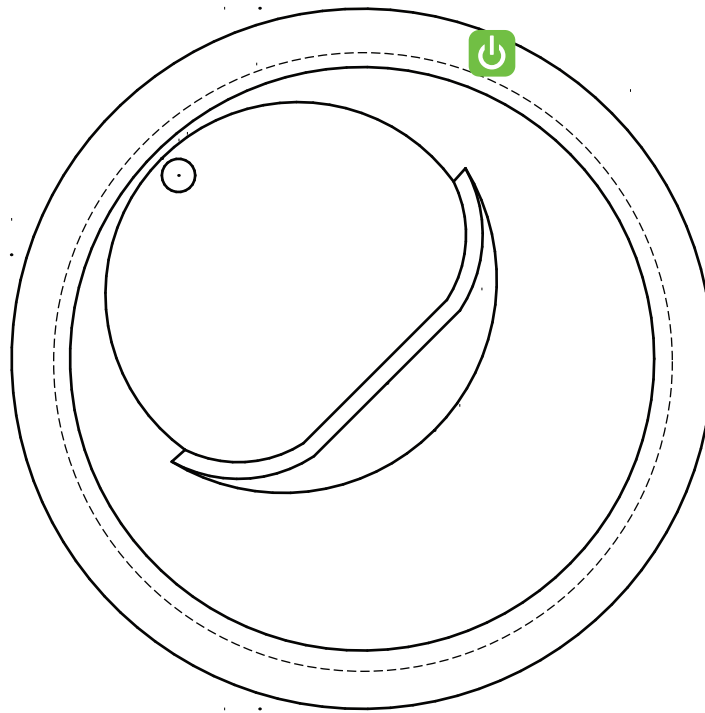
- Underwriters Laboratories (UL)
- Underwriters Laboratories - Canada (cUL)
- Canadian Standards Association - (CSA)
- ANSI Z124.1 • ANSI A112-19.7
- ANSI A112.19.8

Contact Americh for additional approvals.





ON/OFF Control



### Airbath System II

Blower must be remotely located  
(Diagram is required for custom blower connection locations)

#### STANDARD EQUIPMENT

- PVC Waste & Overflow with Polished Chrome trim
- Available with polished brass, polished nickel, satin nickel, oil rubbed bronze or white trim at no additional charge if specified at the time of order. Requests after order is shipped are subject to an up-charge.

#### INSTALLATION TIPS

- Install product according to Owners Manual and local codes.
- Hot water supply should be 65-75% of tub capacity or greater. Always consult your local plumber for recommendations as installations will vary.

#### OPTIONAL ACCESSORIES

- Chromotherapy
- Dual Color
- Pillow: 12"

#### ELECTRICAL REQUIREMENTS

Americh recommends one 20 amp ground fault circuit interrupter (GFCI) for each power supply provided with the bathtub.